



INDUSTRIAS TECHNOFLEX SA

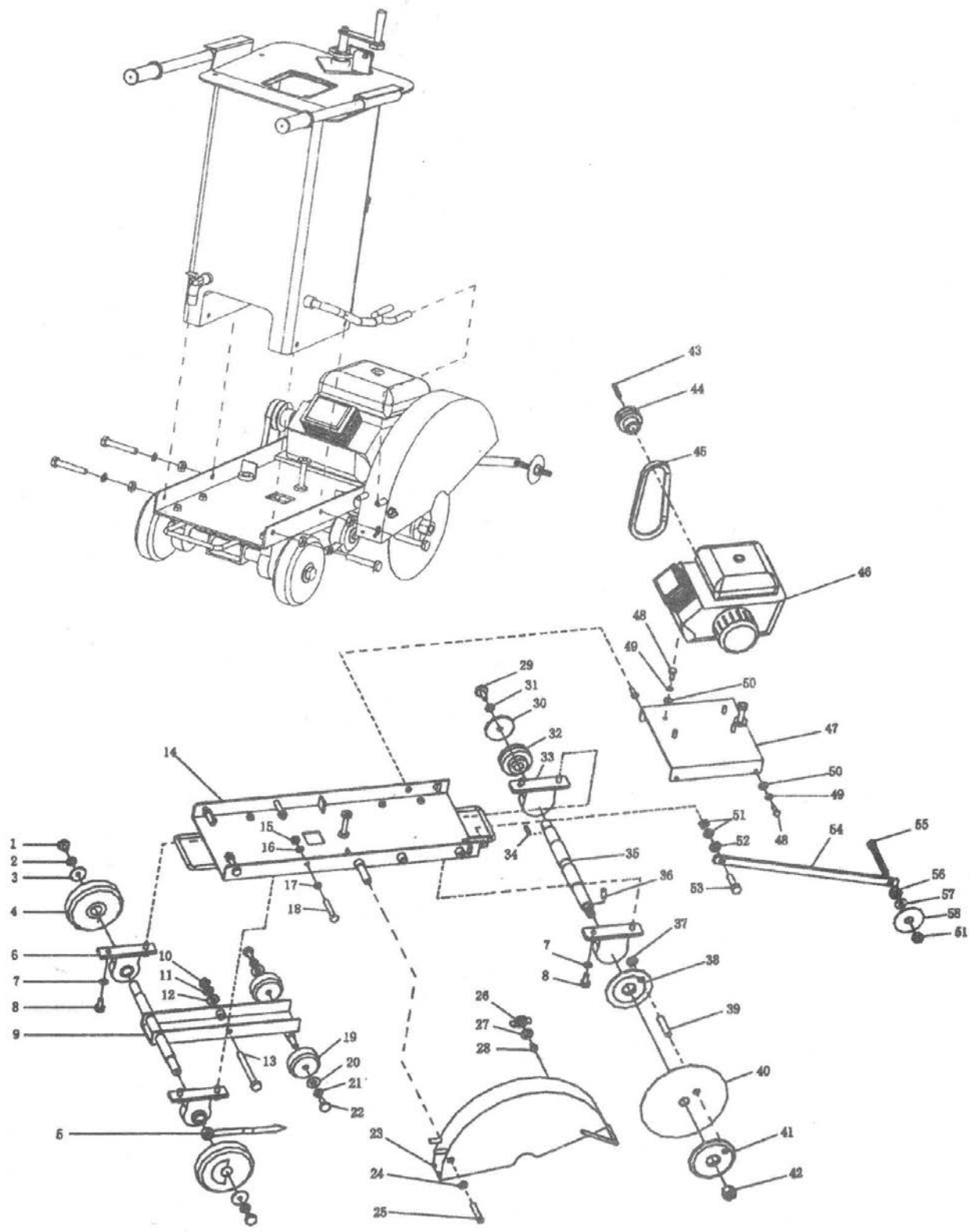
<http://www.technoflex.es/>

Cortadora de Asfalto CA-500
Concrete Cutter CA-500

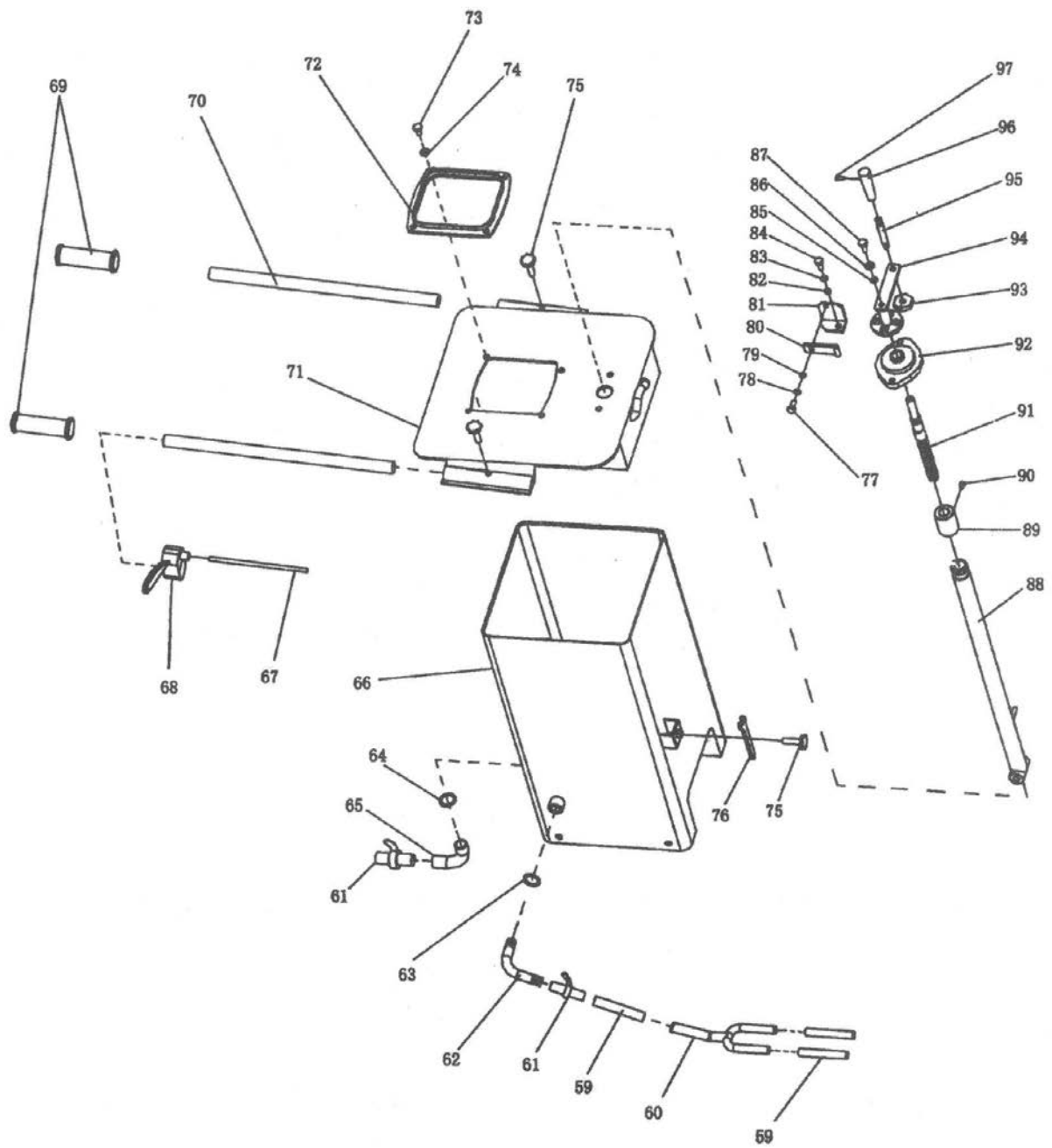


Manual de Instrucciones / Lista de Recambios
Instruction Manual / Spare Parts

MAQUINARIA PARA LA CONSTRUCCIÓN Y OBRAS PÚBLICAS
BUILDING AND PUBLIC WORKS MACHINERY



PARTS LIST 1



PARTS LIST 2

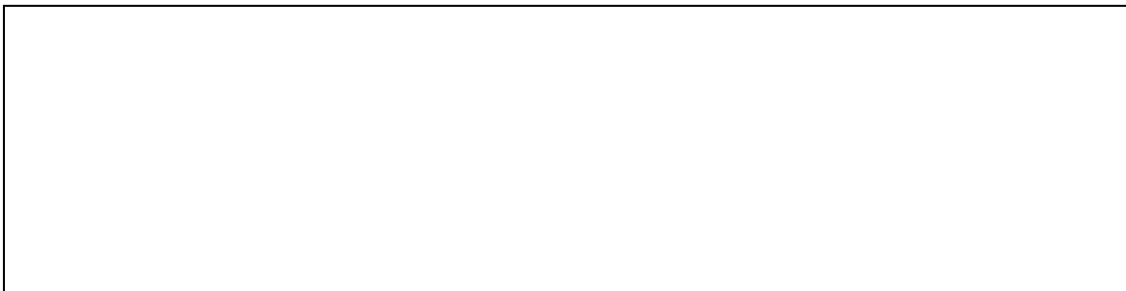
| Pos. | Código / Code | Descripción | Description | Cantidad / Qty |
|------|---------------|----------------------------|---------------------------|----------------|
| 1 | 908001 | Tornillo M12x20 | Bolt M12x20 | 2 |
| 2 | 908002 | Arandela muelle M12x20 | Spring washer 12 | 2 |
| 3 | 908003 | Arandela profunda | Deep washer | 2 |
| 4 | 908004 | Goma rueda trasera | Rubber wheel (rear) | 2 |
| 5 | 908005 | Indicador | Indicator | 1 |
| 6 | 908006 | Cojinete y soporte | Bearing & bracket | 2 |
| 7 | 908007 | Arandela muelle 12 | Spring washer 12 | 8 |
| 8 | 908008 | Tornillo M12 | Bolt M12 | 8 |
| 9 | 908009 | Soporte ruedas | Wheel rack module | 1 |
| 10 | 908010 | Tuerca 12 | Nut 12 | 1 |
| 11 | 908011 | Arandela muelle 12 | Spring washer 12 | 1 |
| 12 | 908012 | Arandela 12 | Washer 12 | 1 |
| 13 | 908013 | Tornillo M12x120 | Bolt M12x120 | 1 |
| 14 | 908014 | Placa base | Base assy | 1 |
| 15 | 908015 | Tuerca M12 | Nut M12 | 4 |
| 16 | 908016 | Arandela muelle 12 | Spring washer 12 | 4 |
| 17 | 908017 | Arandela | Washer 12 | 4 |
| 18 | 908018 | Tornillo M12 | Bolt M12 | 4 |
| 19 | 908019 | Goma rueda frontal | Rubber wheel (front) | 2 |
| 20 | 908020 | Arandel profunda | Deep washer | 2 |
| 21 | 908021 | Arandela muelle 8 | Spring washer 8 | 2 |
| 22 | 908022 | Tornillo M8x22 | Bolt M8x22 | 2 |
| 23 | 908023 | Disco protección | Blade guard | 1 |
| 24 | 908024 | Arandela 10 | Washer 10 | 1 |
| 25 | 908025 | Tornillo M10 | Bolt M10 | 1 |
| 26 | 908026 | Tuerca M10 | Nut M10 | 1 |
| 27 | 908027 | Arandela 10 | Washer 10 | 1 |
| 28 | 908028 | Tornillo | Screw | 1 |
| 29 | 908029 | Tornillo M10x25 | Bolt M10x25 | 1 |
| 30 | 908030 | Arandela | Washer | 1 |
| 31 | 908031 | Arandela muelle 10 | Spring washer 10 | 1 |
| 32 | 908032 | Polea | Pulley | 1 |
| 33 | 908033 | Cojinete y soporte | Bearing & bracket | 2 |
| 34 | 908034 | Llave 8x38 | Key 8x38 | 1 |
| 35 | 908035 | Eje principal | Principal axis | 1 |
| 36 | 908036 | Pasador C6 | Pin C6 | 1 |
| 37 | 908037 | Tuerca | Nut M8 | 1 |
| 38 | 908038 | Disco brida interno | Blade flang (inner) | 1 |
| 39 | 908039 | Pasador | Pin | 1 |
| 40 | 908040 | Disco | Blade | 1 |
| 41 | 908041 | Disco brida externo | Blade flang (out) | 1 |
| 42 | 908042 | Tuerca | Nut | 1 |
| 43 | 908043 | Llave | Key | 1 |
| 44 | 908044-1 | Polea motor diesel | Engine pulley for diesel | 1 |
| | 908044-2 | Polea motor Honda | Engine pulley for Honda | 1 |
| | 908044-3 | Polea motor Robin | Engine pulley for Robin | 1 |
| 45 | 908045-1 | Correa SPA-GB11544 Diesel | V-belt SPA-GB11544 diesel | 1 |
| | 908045-2 | Correa SPA-GB11544 Gasolin | V-belt SPA-GB11544 petrol | 1 |
| 46 | 908046-1 | Motor diesel | Diesel engine | 1 |
| | 908046-2 | Motor Honda | Honda engine | 1 |
| | 908046-3 | Motor Robin | Robin engine | 1 |

| Pos. | Código / Code | Descripción | Description | Cantidad / Qty |
|------|---------------|---------------------|--------------------------|----------------|
| 47 | 908047 | Placa base motor | Base assy. for engine | 1 |
| 48 | 908048 | Tornillo M10x30 | Bolt M10x30 | 8 |
| 49 | 908049 | Arandela muelle 10 | Spring washer 10 | 8 |
| 50 | 908050 | Arandela 10 | Washer 10 | 8 |
| 51 | 908051 | Tuerca M12 | Nut M12 | 3 |
| 52 | 908052 | Arandela 12 | Washer 12 | 1 |
| 53 | 908053 | Tornillo M12x45 | Bolt M12x45 | 1 |
| 54 | 908054 | Puntero | Pointer | 1 |
| 55 | 908055 | Tornillo M12x110 | Bolt M12x110 | 1 |
| 56 | 908056 | Tuerca | Nut | 1 |
| 57 | 908057 | Arandela 12 | Washer 12 | 1 |
| 58 | 908058 | Rueda puntero | Pointer wheel | 1 |
| 59 | 908059 | Tubería de plástico | Plastic pipe | 3 |
| 60 | 908060 | Tubería en "T" | Tee pipe | 1 |
| 61 | 908061 | Válvula grifo | Cock | 2 |
| 62 | 908062 | Codo | Elbow bend | 1 |
| 63 | 908063 | Tuerca | Nut | 1 |
| 64 | 908064 | Tuerca | Nut | 1 |
| 65 | 908065 | Codo | Elbow | 1 |
| 66 | 908066 | Depósito de agua | Water tank | 1 |
| 67 | 908067 | Cable acelerador | Throttle cable | 1 |
| 68 | 908068 | Maneta acelerador | Throttle control | 1 |
| 69 | 908069 | Empuñadura manillar | Handle bar grip | 2 |
| 70 | 908070 | Palanca | Handle lever | 2 |
| 71 | 908071 | Cubierta depósito | Tank cover | 1 |
| 72 | 908072 | Boca de inyección | Injection mouth | 1 |
| 73 | 908073 | Tornillo M10 | Bolt M10 | 4 |
| 74 | 908074 | Tornillo M10 | Bolt M10 | 4 |
| 75 | 908075 | Fijación | Knob | 3 |
| 76 | 908076 | Llave inglesa | Wrench | 1 |
| 77 | 908077 | Tornillo M8x30 | Bolt M8x30 | 1 |
| 78 | 908078 | Arandela muelle 8 | Spring washer 8 | 1 |
| 79 | 908079 | Arandela 8 | Washer 8 | 1 |
| 80 | 908080 | Soporte | Board plug | 1 |
| 81 | 908081 | Soporte orientación | Orientation board | 1 |
| 82 | 908082 | Arandela 10 | Washer 10 | 2 |
| 83 | 908083 | Arandela muelle 8 | Spring washer 8 | 2 |
| 84 | 908084 | Tornillo M10 | Bolt M10 | 2 |
| 85 | 908085 | Arandela 8 | Washer 8 | 1 |
| 86 | 908086 | Arandela muelle 8 | Spring washer 8 | 1 |
| 87 | 908087 | Tornillo M8x20 | Bolt M8x20 | 1 |
| 88 | 908088 | Palanca elevación | Manual raise/lower assy. | 1 |
| 89 | 908089 | Tuerca | Nut | 1 |
| 90 | 908090 | Tornillo M6x10 | Bolt M6x10 | 1 |
| 91 | 908091 | Tornillo | Screw | 1 |
| 92 | 908092 | Cojinete y soporte | Bearing & Bracket | 1 |
| 93 | 908093 | Tuerca M10 | Nut M10 | 1 |
| 94 | 908094 | Soporte | Bracket | 1 |
| 95 | 908095 | Palanca | Handle lever | 1 |
| 96 | 908096 | Mango | Handle grip | 1 |
| 97 | 908097 | Tornillo M6 | Bolt M6 | 1 |

INDUSTRIAS TECHNOFLEX, S.A.

C/Josep Pujol, s/n. esq. Ctra. d'Ullastrell s/n
Apartado de correos, 43
E-08191 RUBÍ (Barcelona)-SPAIN

Tel. (+34) 93 588 53 37
Fax (+34) 93 697 37 54
e-mail: teflex@ficsa.com
Internet: <http://www.technoflex.es>



Cód.:4046600025 / 07.11



INDUSTRIAS TECHNOFLEX SA