



INDUSTRIAS TECHNOFLEX SA

<http://www.technoflex.es/>

Plancha vibradora reversible con accionamiento mecánico

Reversible compactor plate with mechanical control

Plaque vibrante réversible avec actionnement mécanique

Compactadora reversível com controle mecânico

MAMUT 30-G / MAMUT 30-D



Manual de Instrucciones / Lista de Recambios

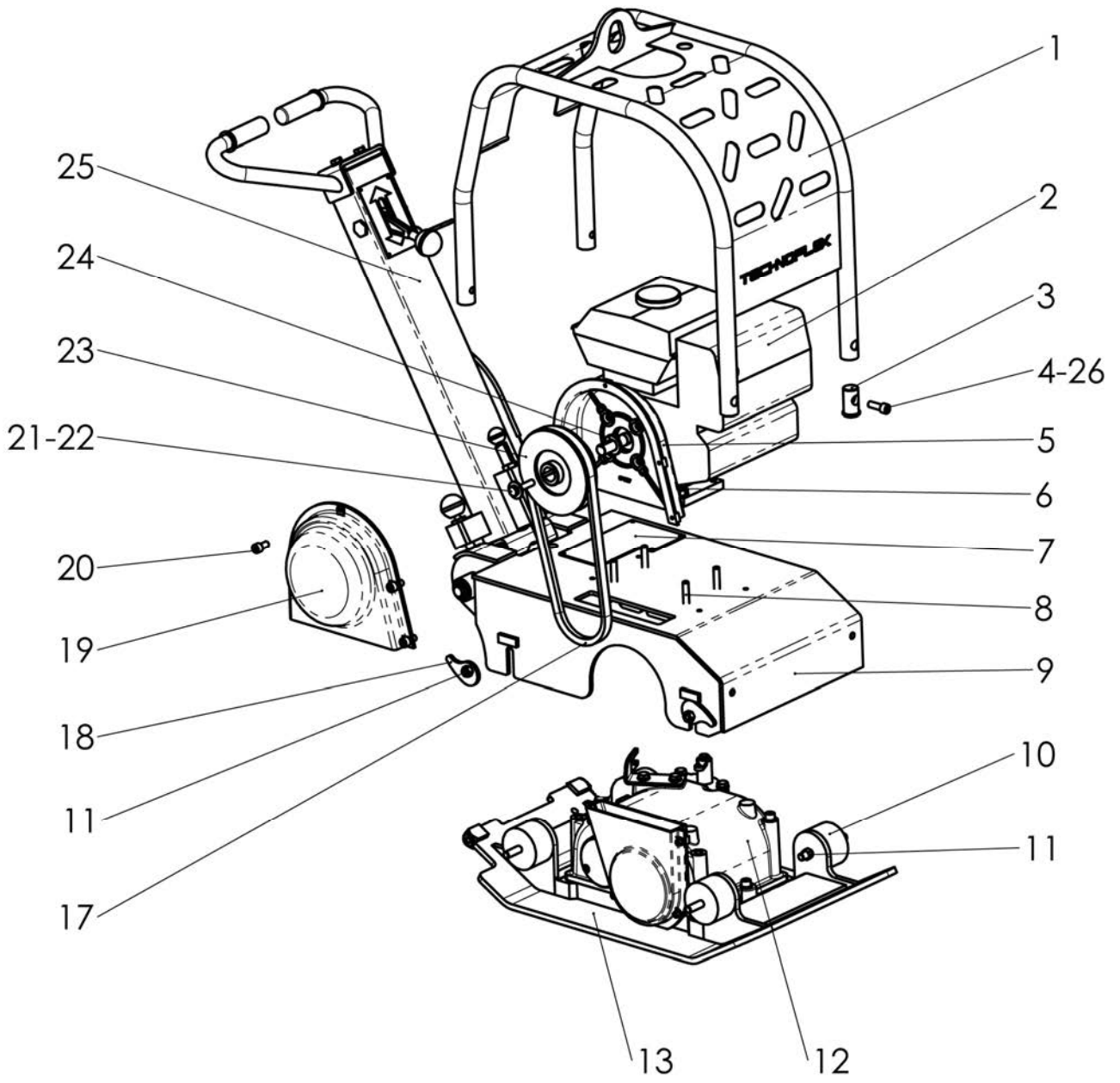
Instruction Manual / Spare Parts

Manuel d'Instructions / Liste de Pièces de Rechange

Manual de instruções / Lista de reposições

MAQUINARIA PARA LA CONSTRUCCIÓN Y OBRAS PÚBLICAS
BUILDING AND PUBLIC WORKS MACHINERY
MACHINERIE POUR LA CONSTRUCTION ET LES TRAVAUX PUBLICS
MAQUINARIA PARA A CONSTRUÇÃO E OBRAS PÚBLICAS

2.1 MAMUT 30-G

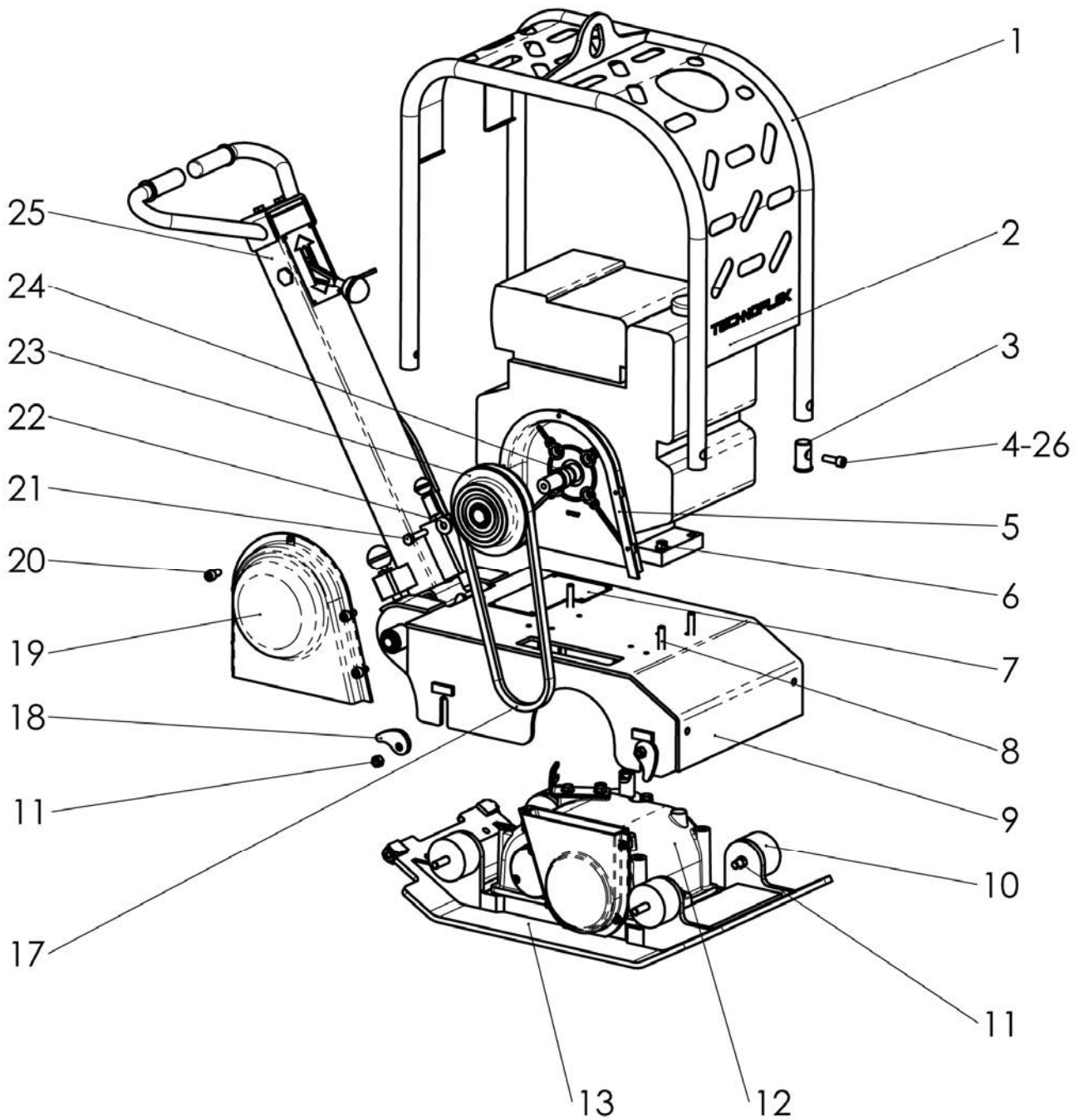


2.1 MAMUT 30-G

2.1 Lista de recambios / Spare parts list / Liste de pièces de recharge / Lista de reposições

Código Code	Pos.	Cant. Qty.	Descripción	Description	Description	Descrição
141688R013	1	1	Jaula protección	Protection cage	Cage de protection	Gaiola de proteção
4047000160	2	1	Motor Honda GX160	Honda Engine	Moteur essence	Motor gasolina
120561R014	3	4	Tapón	Plug	Couvercle	Tampa
3912110040	4	4	Tornillo allen M10x40	Allen screw M10x40	Vis Allen M10x40	Parafuso M10x40
173835R014	5	1	Protección interna	Inner protection	Protection	Protecção
3985200008	6	4	Tuerca autoblocante M8	Lock nut M8	Ecrou autoblocante M8	Porca autoblocante
120569R014	7	1	Tapa	cover	Couvercle	Tampa
3933208035	8	4	Tornillo exagonal M8x35	Screw M8x35	Vis M8x35	Parafuso M8x35
141640R012	9	1	Base soporte	Support base	Suport	Base sustento
4070007545	10	4	Silemblock	Rubber absorber	Silemblock	Silemblock
3985200012	11	8	Tuerca autoblocante M12	Lock nut M12	Ecrou autoblocante	Porca autoblocante
141649R012	12	1	Conjunto caja vibrante	Exciter assembly	Boîte vibrante	Caixa vibradora
173795R013	13	1	Zapata 400mm	Base plate 400mm	Base 400mm	Base 400mm
4026640034	17	1	Correa BX-34	Belt BX-34	Courroie BX-34	Correia BX-34
173809R014	18	4	Leva tensor	Cam support	Lève tenseur	Leva
173836R014	19	1	Protección exterior	Outer protection	Protection	Protecção
3912106020	20	5	Tornillo allen M6x20	Allen screw M6x20	Vis Allen M6x20	Parafuso M6x20
3933151625	21	1	Tornillo exagonal 5/16"x25	Screw 5/16"x25	Vis 5/16"x25	Parafuso 5/16"x25
3021200008	22	1	Arandela plana	Washer	Rondelle	Arandela
141668R024	23	1	Embrague	Clutch	Embrayage	Embreagem
130751R014	24	1	Casquillo separador	Distance ring	Bague	Anel
141651R013	25	1	Conjunto Brazo	Arm assembly	Assemblage du bras	Montagem braço
4013000910	26	4	Arandela AET Ø10	Washer AET	Rondelle AET	Arandela AET
173162R014	27	1	Muelle	Spring	Ressort	Mola
4059490810	28	1	Difusor de humos	Fume difuser	Diffuser fumée	Fumaça difusor
3933204010	29	1	Tornillo exág. M4x10	Screw M4x10	Vis M4x10	Parafuso M4x10
3125200005	30	2	Arandela plana Ø5.5	Washer	Rondelle	Arandela
174393R014	31	1	Sujeta cable	Cable subject	Sujet de câble	Sujeitas a cabo

2.2 MAMUT 30-D



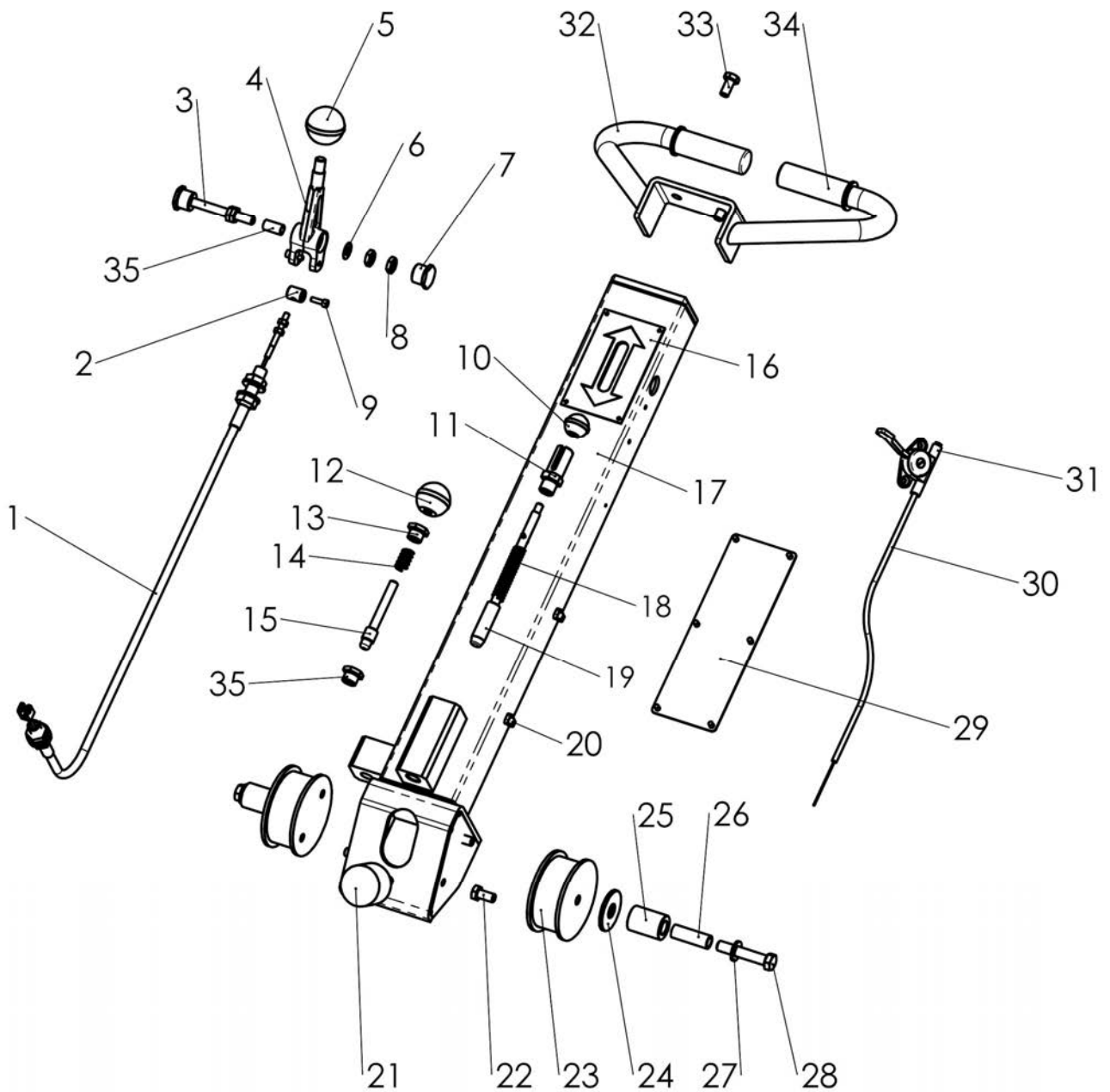
2.2 MAMUT 30-D

**Lista de recambios / Spare parts list / Liste de pièces de recharge /
Lista de reposições**

Código Code	Pos.	Cant. Qty.	Descripción	Description	Description	Descrição
141704R013	1	1	Jaula protección	Protection cage	Cage de protection	Gaiola de proteção
4047000178	2	1	Motor diésel KAMA 178F	Diesel engine	Moteur diesel	Motor diesel
120561R014	3	4	Tapón	Plug	Couvercle	Tampa
3912110040	4	4	Tornillo allen M10x40	Allen screw M10x40	Vis Allen M10x40	Parafuso M10x40
173807R013	5	1	Protección interna	Inner protection	Protection	Protecção
3985200010	6	4	Tuerca autoblocante M10	Lock nut M10	Ecrou autoblocante	Porca autoblocante
120569R014	7	1	Tapa	cover	Couvercle	Tampa
3933210045	8	4	Tornillo exagonal M10x45	Screw M10x45	Vis M10x45	Parafuso M10x45
141640R012	9	1	Base soporte	Support base	Suport	Base sustento
4070007545	10	4	Silemblock	Rubber absorber	Silemblock	Silemblock
3985200012	11	8	Tuerca autoblocante M12	Lock nut M12	Ecrou autoblocante	Porca autoblocante
141649R012	12	1	Conjunto caja vibrante	Exciter assembly	Boîte vibrante	Caixa vibradora
173795R013	13	1	Zapata 400mm	Base plate	Base	Base
4026640036	17	1	Correa BX-36	Belt BX-36	Courroie BX-36	Correia BX_36
173809R014	18	4	Leva tensor	Cam support	Lève tenseur	Leva
173808R013	19	1	Protección exterior	Outer protection	Protection	Protecção
3912106020	20	5	Tornillo allen M6x20	Allen screw M6x20	Vis Allen M6x20	Parafuso M6x20
3933210025	21	1	Tornillo exagonal M10x25	Screw M10x25	Vis M10x25	Parafuso M10x20
3021200010	22	1	Arandela plana	Washer	Rondelle	Arandela
141668R024	23	1	Embrague	Clutch	Embrayage	Embreagem
130748R014	24	1	Casquillo separador	Distance ring	Bague	Anel
141651R013	25	1	Conjunto Brazo	Arm assembly	Assemblage du bras	Montagem braço
4013000910	26	4	Arandela AET Ø10	Washer AET	Rondelle AET	Arandela AET

2.3 MAMUT 30-G / MAMUT 30-D

Conjunto braço / Arm assembly / Assemblage du bras / Montagem braço



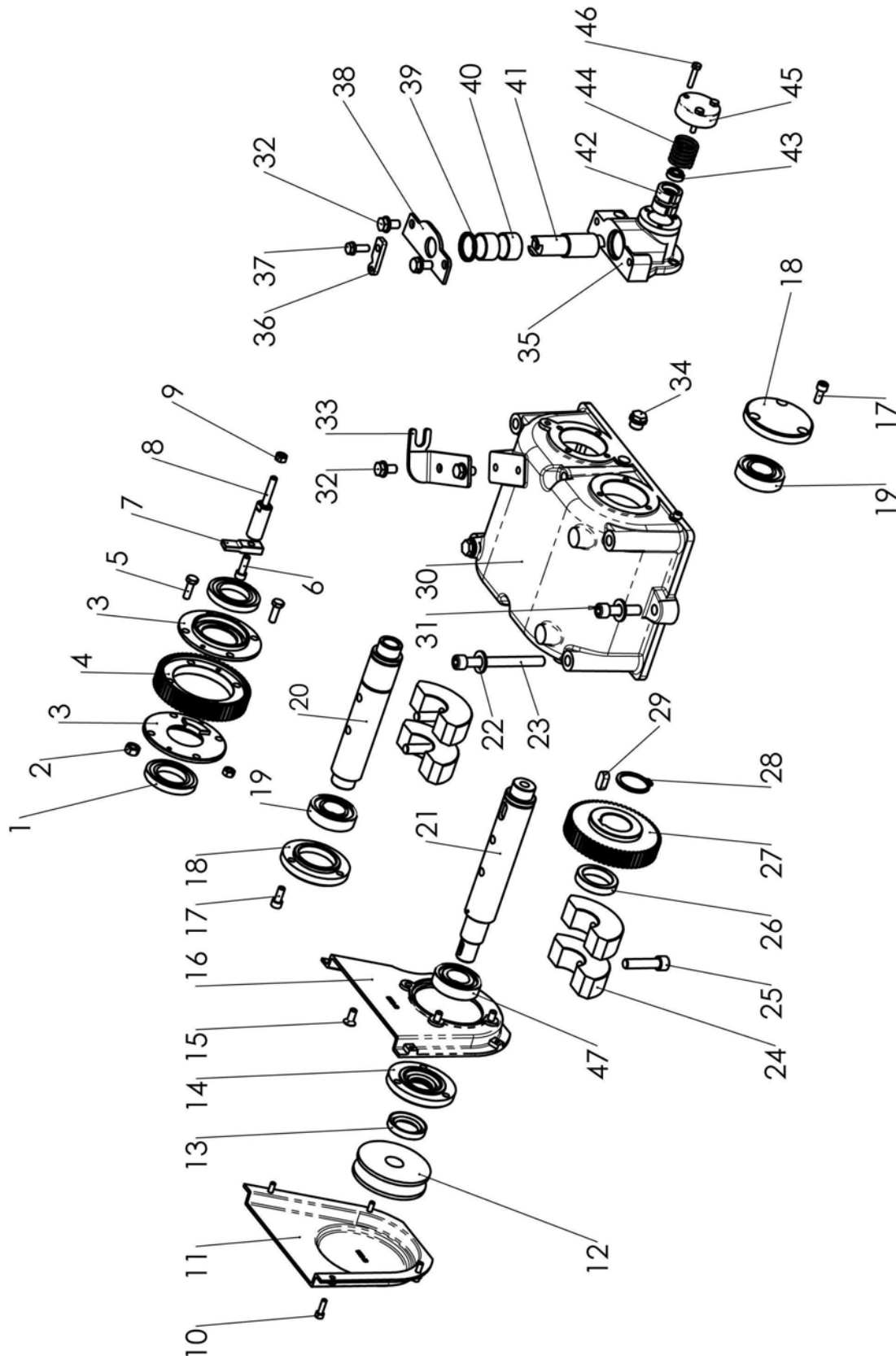
2.3 MAMUT 30-G / MAMUT 30-D

Conjunto brazo / Arm assembly / Assemblage du bras / Montagem braço

Código Code	Pos.	Cant. Qty.	Descripción	Description	Description	Descrição
141689R013	1	1	Conjunto cable de mando	Control cable	Cable direction	Montagem Cabo
173827R014	2	1	Barrilete	Barrel pin	Tonneau	Barril oscilante
141643R014	3	1	Tornillo eje	Shaft screw	Vis axe	Parafuso eixo
173826R014	4	1	Palanca	Lever	Levier	Alavanca
4016000045	5	1	Bola mando	Control ball	Balle	Bola
4046000020	6	2	Arandela muelle	Spring washer	Rondelle ressort	Arandela mola
120562R014	7	1	Tapón	Plug	Bouchon	Tampa
3936200010	8	5	Tuerca M10 estrecha	Flat nut M10	Ecrou M10	Porca M10
3913205012	9	2	Prisionero allen M5x12	Headless screw M5x12	Vis sans tête M5x12	Parafuso M5x12
4016000030	10	1	Bola mando	Control ball	Balle	Bola
120572R014	11	1	Tapón fijador	Thread plug	Bouchon fixation	Tampa fixaçã
4016000039	12	1	Bola mando	Control ball	Balle	Bola
120564R014	13	1	Tapón fijador	Thread plug	Bouchon fixation	Tampa fixaçã
173834R014	14	1	Muelle	Spring	Ressort	Mola
100465R014	15	1	Eje bulón	Fixation shaft	Axe fixation	Eixo fixaçã
173839R014	16	1	Placa indicacion	Plate	Plaque indication	Placa
141642R013	17	1	Conjunto brazo	Arm assembly	Bras	Braço
173881R014	18	1	Muelle	Spring	Ressort	Mola
100474R014	19	1	Fijador	Fixation shaft	Axe fixation	Fixador
4028800006	20	3	Clip	Clip	Clip	Clip
4070005035	21	1	Silemblock	Rubber absorber	Silemblock	Silemblock
3933208025	22	4	Tornillo exagonal M8x25	Screw M8x25	Vis M8x25	Parafuso M8x25
173837R014	23	2	Silemblock	Rubber absorber	Silemblock	Silemblock
150870R014	24	2	Arandela	Washer	Rondelle	Arandela
130746R014	25	2	Casquillo	Ring	Bague	Anel
130747R014	26	2	Casquillo	Ring	Bague	Anel
3125200012	27	2	Arandela	Washer	Rondelle	Arandela
3933212065	28	2	Tornillo exagonal M12x65	Screw M12x65	Vis M12x65	Parafuso M12x65
120560R014	29	1	Tapa	Cover	Couvercle	Tampa
141691R014	30	1	Cable acelerador	Gas cable	Accélérateur cable	Cabo acelerador
4046006029	31	1	Maneta control	Gas lever	Accélérateur	Mando acelerador
141641R014	32	1	Manillar	Handle	Poignée	Braço
3933210020	33	2	Tornillo exagonal M10x20	Screw M10x20	Vis M10x20	Parafuso M10x20
4028063090	34	2	Empuñadura	Rubber handle	Anse	Asa
130757R014	35	1	Casquillo	Ring	Bague	Anel

2.4 MAMUT 30-G / MAMUT 30-D

Caja vibrante / Exciter assembly / Boîte vibrante / Caixa vibradora



2.4 MAMUT 30-G / MAMUT 30-D

Caja vibrante / Exciter assembly / Boîte vibrante / Caixa vibradora

Código Code	Pos.	Cant. Qty.	Descripción	Description	Description	Descrição
4060160080	1	2	Rodamiento 16008	Bearing 16008	Roulement 16008	Rodamento 16008
3934200008	2	4	Tuerca M8	Nut M8	Ecrou M8	Porca M8
120567R014	3	2	Tapa arrastre	Clutch flange	Couvercle	Tampa embreagem
173823R014	4	1	Corona	Gear clutch	Couronne	Corona
3933208030	5	4	Tornillo exagonal M8x30	Screw M8x30	Vis M8x30	Parafuso M8x30
3912108030	6	1	Tornillo allen M8x30	Allen screw M8x30	Vis Allen M8x30	Parafuso Allen M8x30
173821R014	7	1	Uña selectora	Selector nail	Selecteur	Unha selectora
100466R014	8	1	Eje	Shaft	Axe	Eixo
3985200008	9	1	Tuerca autoblocante M8	Lock nut	Ecrou autoblocante	Porca autoblocante
3912106020	10	4	Tornillo allen M6x20	Allen screw M6x20	Vis Allen M6x20	Parafuso Allen M6x20
173806R013	11	1	Tapa	Lid	Couvercle	Tampa
4050898324	12	1	Polea	Pulley	Poulie	Polia
4056030501	13	1	Retén	Seal	Anneau d'étanchéité	Anel obturador
120566R014	14	1	Tapeta	Lid	Couvercle	Tampa
3991108020	15	4	Tornillo allen avell. M8x20	Allen cone head M8x20	Vis Allen tête conique	Parafuso conico
173805R013	16	1	Tapa	Lid	Couvercle	Tampa
3912108020	17	12	Tornillo allen M8x20	Allen screw M8x20	Vis Allen M8x20	Parafuso Allen M8x20
120565R012	18	2	Tapeta	Lid	Couvercle	Tampa
4060020603	19	3	Rodamiento rodillos NJ206	Roll bearing NJ206	Roulement NJ206	Rodamento NJ206
100468R013	20	1	Eje selector	Selector shaft	Axe selecteur	Eixo selector
100467R013	21	1	Eje	Shaft	Axe	Eixo
3127200012	22	8	Arandela Grover ø12,5	Grover washer ø12,5	Rondelle	Arandela
3912612140	23	6	Tornillo allen M12x140	Allen screw M12x140	Vis Allen M12x140	Parafuso Allen
173822R014	24	4	Excéntrica	Eccentric mass	Excentrique	Excentrica
3912612050	25	4	Tornillo allen M12x50	Allen screw M12x50	Vis Allen M12x50	Parafuso Allen
130764R014	26	1	Casquillo separador	Distance ring	Bague	Anel
173824R014	27	1	Corona	Gear	Couronne	Corona
4005000040	28	1	Circlip E-40	Seeger E-40	Bague d'arrêt	Anelho retenção
4022120825	29	1	Chaveta 12x8x25	Key 12x8x25	Clavette 12x8x25	Chaveta 12x8x25
173810R012	30	1	Caja	Box	Boîte	Caixa
3912612050	31	2	Tornillo allen M12x50	Allen screw M12x50	Vis Allen M12x50	Parafuso Allen
3933210020	32	4	Tornillo exagonal M10x20	Screw M10x20	Vis M10x20	Parafuso M10x20
173816R013	33	1	Soporte cable	Cable support	Support cable	Suporte cabo
4074503138	34	2	Tapón 3/8"	Plug 3/8"	Bouchon 3/8"	Tampa 3/8"
173785R013	35	1	Soporte selector	Selector support	Support selecteur	Suporte selector
173825R014	36	1	Palanca	Lever	Levier	Alavanca
3933208020	37	1	Tornillo exagonal M8x20	Screw M8x20	Vis M8x20	Parafuso M8x20
120563R014	38	1	Tapeta	Lid	Couvercle	Tampa
4042103004	39	1	Tórica 30x4	O ring 30x4	Joint torique	Junta tórica
4021303420	40	2	Cojinete fricción	Oilless bearing	Oilless Roulement	Oilless rodamento
141650R014	41	1	Eje selector	Selector shaft	Axe selecteur	Eixo selector
173820R014	42	1	Tambor	Drum	Tambour	Tambor
4060060800	43	2	Rodamiento 608	Bearing 608	Roulement 608	Rodamento 608
173830R014	44	1	Muelle	Spring	Ressort	Mola
120568R014	45	1	Tapeta	Lid	Couvercle	Tampa
3933206030	46	3	Tornillo exagonal M6x30	Screw M6x30	Vis M6x30	Parafuso M6x30
4060220604	47	1	Rodamiento rodillos NJ2206	Roll bearing NJ2206	Roulement NJ2206	Rodamento NJ2206

INDUSTRIAS TECHNOFLEX, S.A.

C/ Ctra. d'Ullastrell S/N
Apartado de correos, 43
E-08191 RUBÍ (Barcelona)-SPAIN

Tel. (+34) 93 588 53 37
Fax (+34) 93 697 37 54
e-mail: technoflex@ficsa.com
Internet: <http://www.technoflex.es>



Cód. : 4046600029 11/11



INDUSTRIAS TECHNOFLEX SA