



**INDUSTRIAS TECHNOFLEX SA**

<http://www.technoflex.es/>

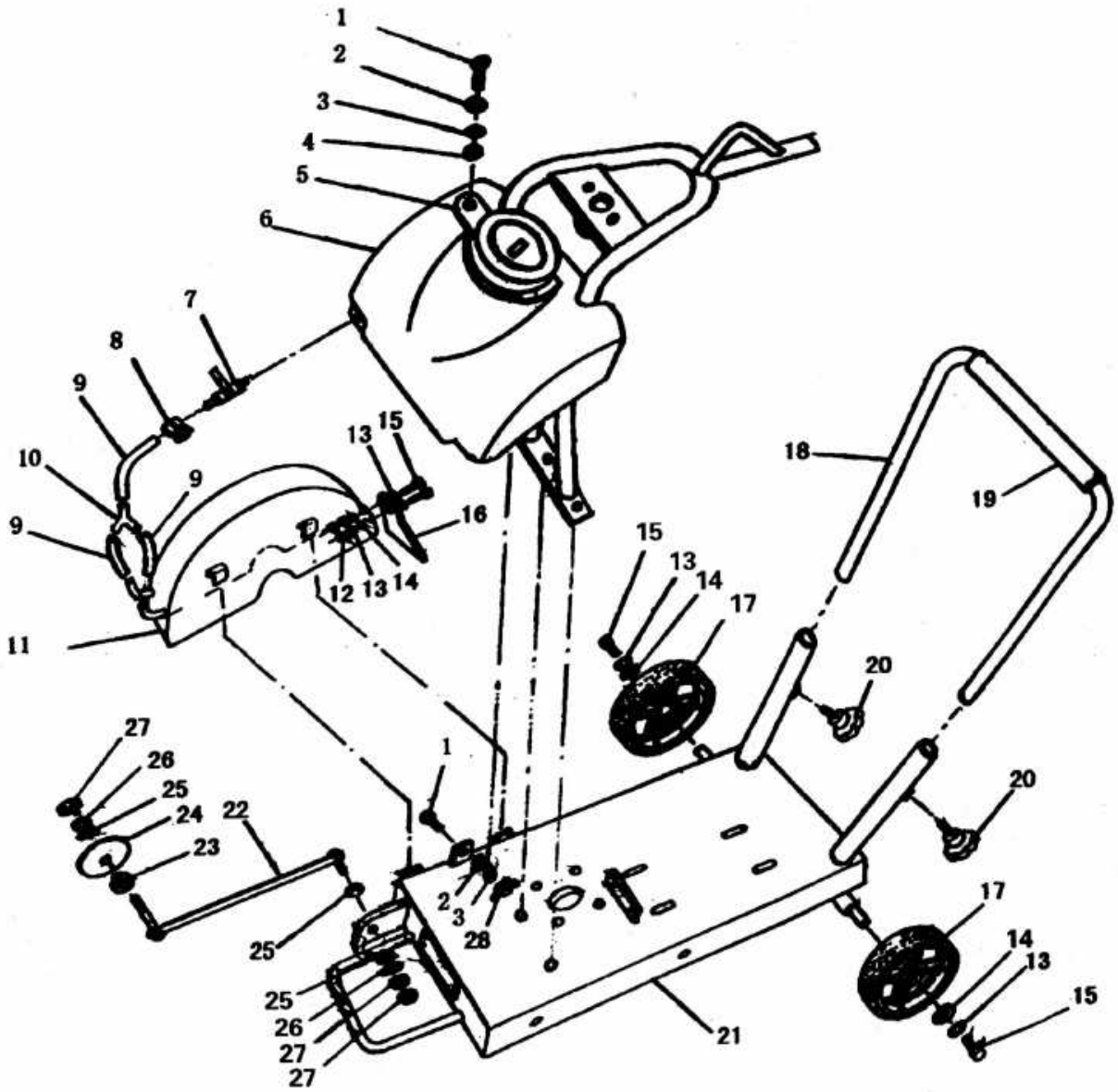
**Concrete Cutter CA-350**



**Instruction Manual / Spare Parts**

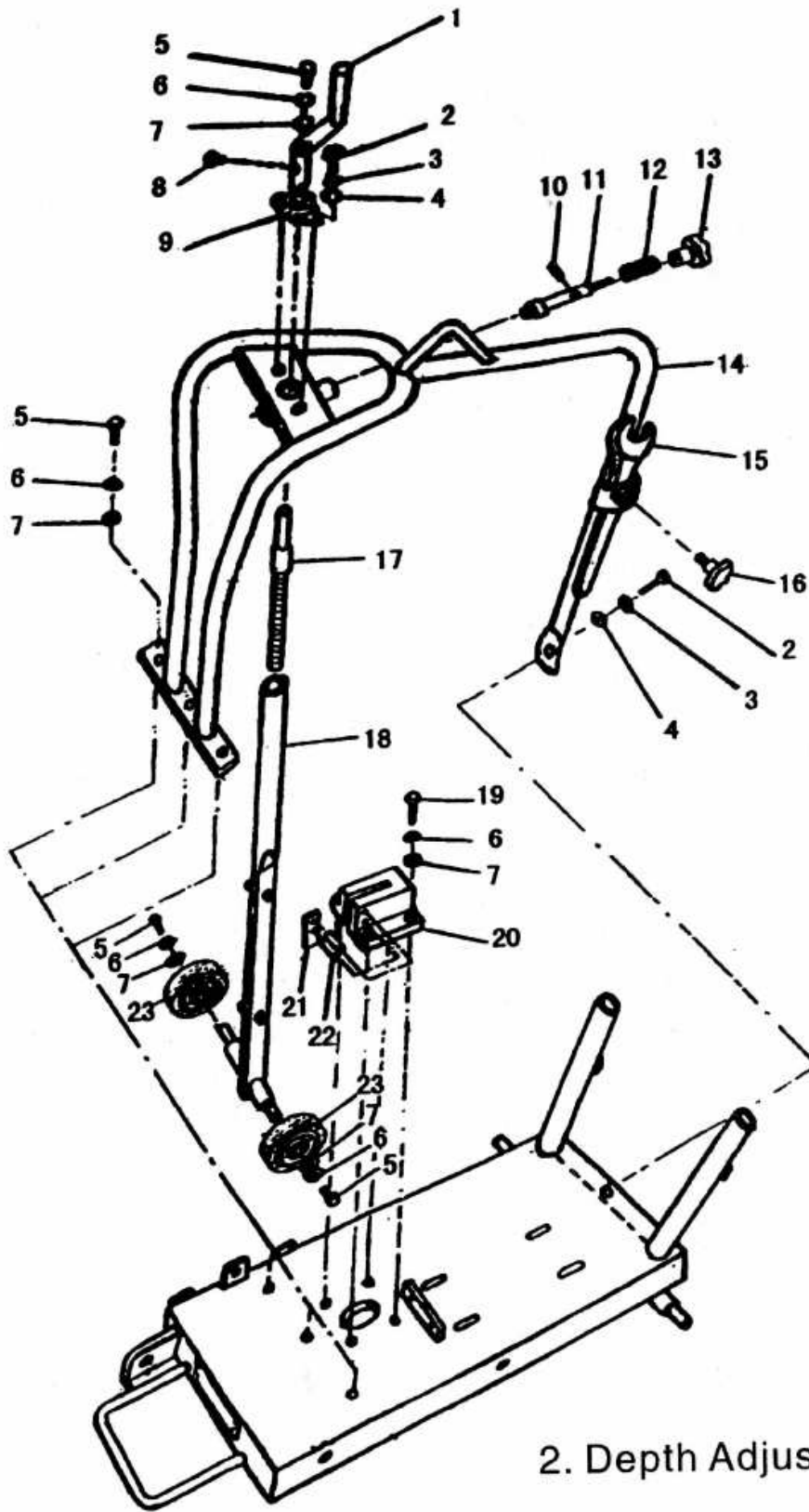
*BUILDING AND PUBLIC WORKS MACHINERY*

---



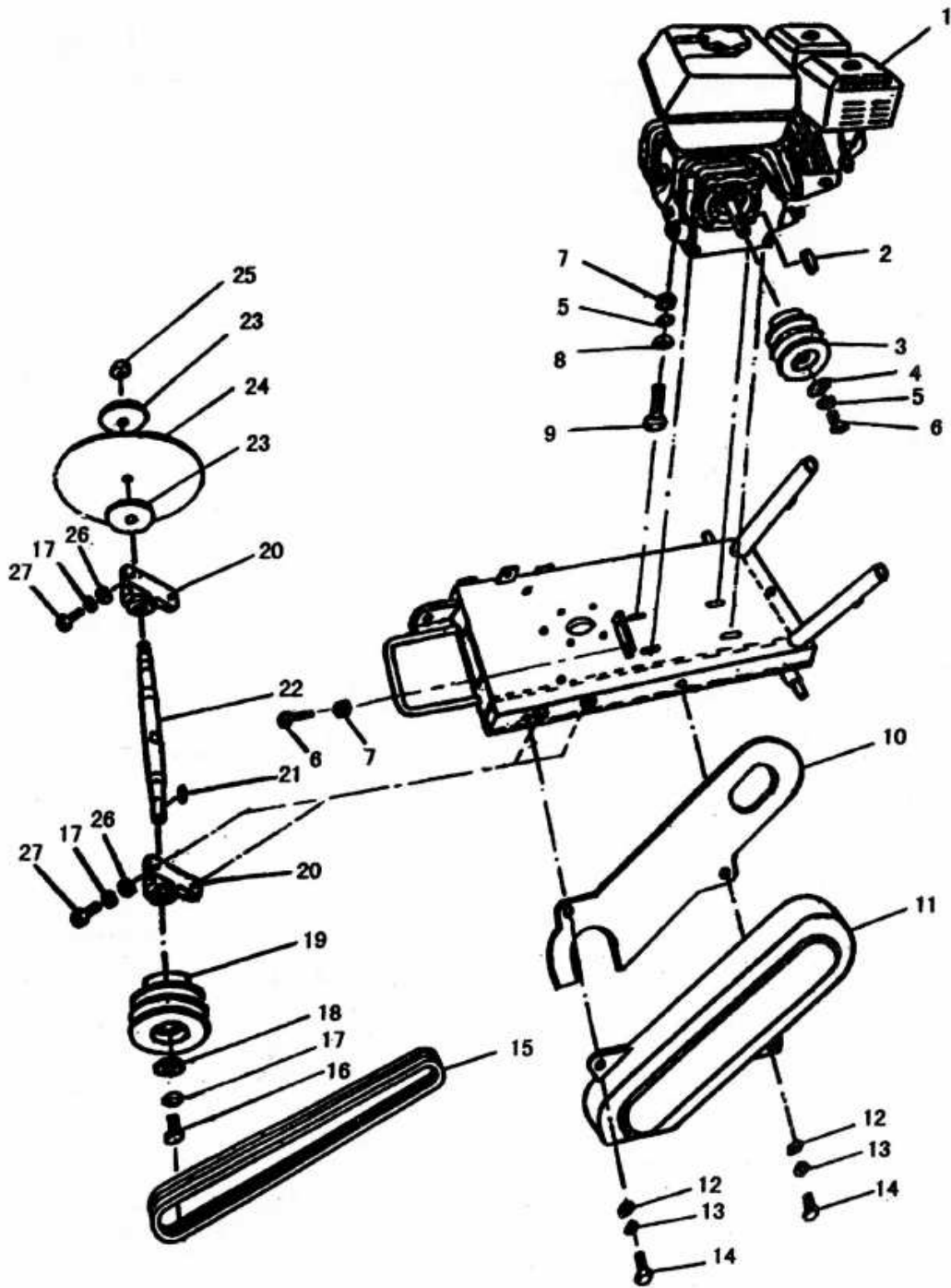
1. Major Components

Pos.	Código / Code	Descripción	Description	Cantidad / Qty
1	902001	Tornillo exagonal M10x30	Hexagonal bolt M10x30	2
2	902002	Arandela 10	Washer 10	2
3	902003	Arandela muelle 10	Spring washer 10	2
4	902004	Tuerca exagonal M10	Hexagonal nut M10	2
5	902005	Tapa	Water Tank cover	1
6	902006	Depósito Refrigerante	Water Tank	1
7	902007	Válvula grifo	Cock	1
8	902008	Abrazadera	Hook	1
9	902009	Codo	Elbow	3
10	902010	Empalme	Tee	1
11	902011	Protección	Blade guard	1
12	902012	Tuerca exagonal M8	Hexagonal nut M8	2
13	902013	Arandela muelle 8	Spring washer 8	4
14	902014	Arandela 8	Washer 8	6
15	902015	Tornillo exagonal M8x25	Hexagonal Nut M8x25	4
16	902016	Cortinilla	Rubber mat	1
17	902017	Rueda trasera	Rear Wheel	2
18	902018	Asa	Handle	1
19	902019	Tirador	Handle bar grip	1
20	902020	Fijación	Knob	2
21	902021	Placa base	Base assy,	1
22	902022	Brazo marcador	Pointer	1
23	902023	Tuerca	Nut	1
24	902024	Rueda marcadora	Pointer wheel	1
25	902025	Arandela 12	Washer 12	3
26	902026	Arandela muelle	Spring washer	2
27	902027	Tuerca exagonal M12	Hexagonal nut M12	3
28	902028	Tuerca M12	Nut (butterfly) M10	1



2. Depth Adjusting Assy.

Pos.	Código / Code	Descripción	Description	Cantidad / Qty
1	902501	Manivela	Wheel handle	1
2	902502	Tornillo Hexagonal M10x30	Hexagonal bolt M10x30	3
3	902503	Arandela muelle 10	Spring washer 10	3
4	902504	Arandela 10	Washer 10	3
5	902505	Tornillo hexagonal M8x25	Hexagonal bolt M8x25	6
6	902506	Arandela muelle 8	Spring washer 8	10
7	902507	Arandela 8	Washer 8	10
8	902508	Tornillo M8x12	Screw M8x12	1
9	902509	Rodamiento	Bearing	1
10	902510	Muelle	Spring pin 4x16	1
11	902511	Conector	Pin	1
12	902512	Muelle	Spring	1
13	902513	Tuerca	Pulling nut	1
14	902514	Mango	Lifting hook	1
15	902515	Llave fija	French	2
16	902516	Pomo	Knob	1
17	902517	Tirante	Screw stem	1
18	902518	Casquillo	Connecting stem	1
19	902519	Tornillo hexagonal M8x40	Hexagonal bolt M8x40	4
20	902520	Base fijación	Pointer plate	1
21	902521	Placa fijación	Tightening plate	1
22	902522	Conector 8x50	Pin 8x50	2
23	902523	Rueda delantera	Front wheel	2



3. Engine & Transmission Assy.

Pos.	Código / Code	Descripción	Description	Cantidad / Qty
1	902601-4	Motor Honda GX160	Honda engine GX160	1
2	902602	Llave 5x45	Key 5x45	1
3	902603-4	Polea	Pulley	1
4	902604	Arandela 8	Washer 8	1
5	902605	Arandela muelle 8	Spring washer 8	5
6	902606	Tornillo Hexagonal M8x25	Hexagonal bolt M8x25	3
7	902607	Tuerca hexagonal M8	Hexagonal nut M8	6
8	902608	Arandela 8	Washer 8	4
9	902609	Tornillo hexagonal M8x40	Hexagonal bolt M8x40	4
10	902610	Tapa Protección correa	Guard belt cover	1
11	902611	Protección correa	Guard belt	1
12	902612	Arandela 10	Washer 10	2
13	902613	Arandela muelle 10	Spring washer 10	2
14	902614	Tornillo hexagonal M10x30	Hexagonal bolt M10x30	2
15	902615	Correa	Belt	2
16	902616	Tornillo hexagonal M12x25	Hexagonal bolt M12x25	1
17	902617	Arandela muelle 12	Spring washer 12	5
18	902618	Arandela 12	Washer 12	1
19	902619	Polea	Pulley	1
20	902620	Rodamiento	Bearing	2
21	902621	Llave 8x35	Key 8x35	1
22	902622	Eje transmisión	Principal shaft	1
23	902623	Disco	Blade flange	2
24	902624	Disco principal	Blade	1
25	902625	Tuerca	Nut	1
26	902626	Arandela 12	Washer 12	2
27	902627	Tornillo hexagonal M12x45	Hexagonal bolt M12x25	2

**INDUSTRIAS TECHNOFLEX, S.A.**

Ctra. d'Ullastrell s/n · Av. Castellbisbal s/n  
Apartado de correos, 43  
E-08191 RUBÍ (Barcelona)-SPAIN

Tel. (+34) 93 588 53 37

Fax (+34) 93 697 37 54

e-mail: [technoflex@ficsa.com](mailto:technoflex@ficsa.com)

Internet: <http://www.technoflex.es>



Cód.:4046600025



**INDUSTRIAS TECHNOFLEX SA**